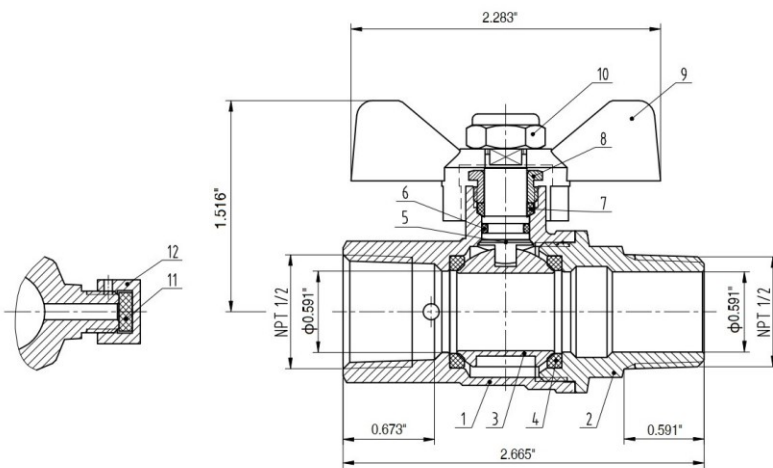


Features:

- *Lead Free
- 600 WOG
- 1/2" M X F Ball Valve with Drain
- cUPC Approved
- NSF/ANSI 61 & 372 Certified
- NPT Thread End Comply to ANSI B1.20.1
- Minimum Temperature (Water): -20 °F
- Maximum Temperature (Water): 300 °F
- Blow-out Proof Stem
- Aluminium Butterfly Handle with Red Painting



Dimensions & Materials List:



No.	Part	QTY	Material
1	Body	1	Lead Free Brass
2	Bonnet	1	Lead Free Brass
3	Ball	1	Lead Free Brass
4	Seat	2	PTFE
5	Stem	1	Brass
6	O-Ring	1	NBR
7	Packing	1	PTFE
8	Packing Nut	1	Brass
9	Handle	1	Aluminum
10	Lock Nut	1	Stainless Steel
11	Washer	1	EPDM
12	Venting Cap	1	Brass

Part#	Description	Size
4PROETBV	1/2" M x F Expansion Tank Ball Valve with Drain T-Handle	1/2"

*Lead Free: weighted average lead content $\leq 0.25\%$